

## Bush set top box dfta42fv manual

---



**File Name:** Bush set top box dfta42fv manual.pdf

**Size:** 3615 KB

**Type:** PDF, ePub, eBook

**Category:** Book

**Uploaded:** 9 May 2019, 16:28 PM

**Rating:** 4.6/5 from 577 votes.

# Download Now!

Please check the box below to proceed.



I'm not a robot



reCAPTCHA  
Privacy - Terms

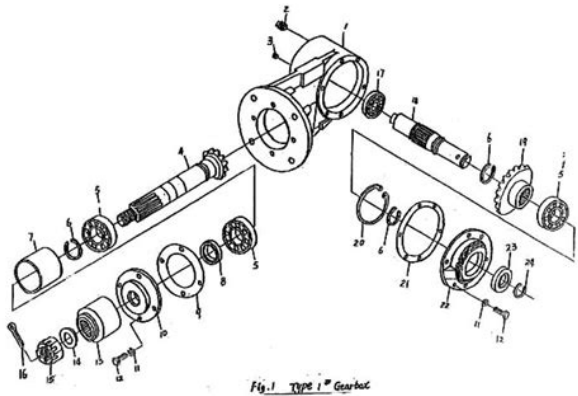
## Book Descriptions:

# Bush set top box dfta42fv manual



You may already be familiar with using a similar unit, but please take time to read these instructions. They are designed to familiarise you with the unit's many features and to ensure you get the very best from your purchase. Digital TV eliminates noise and interference and offers high quality video and audio. An easy to use onscreen installation guide is provided. STANDBY MUTE 2. INFO Displays additional channel information. 3. TTX Displays Teletext Information. INFO 4. SUBTITLE Selects Subtitles Language. 5. EXIT Exits the current Menu or returns to the previous Menu. The diagram inside the Battery Compartment shows the correct way to install the batteries. 1. Open the cover 2. Install batteries 3. Close the cover Using the Remote Control To use the Remote Control, point it towards the front of the Digital Set Top Box. For a higher quality connection, use the Component Video connection outlined below combined with the Composite Audio Connection. For the highest quality connection use a direct HDMI connection, see below. Press Power button to switch receiver on. If you are using the receiver for the first time or restored to Factory Default, the Main Menu will appear on your TV screen. This Menu requires a password to access. Enter the default password 000000. The Menu provides options to adjust the video settings. Press EXIT to exit the menu. 1. The provides options to adjust the earch hannel settings. Press EXIT to exit 1. Auto Search Search and install all channels automatically. If channels can t be found, then exit the menu. 3 Country Select your country of residence. Audio Language Select the preferred audio language for watching TV channels. If the language is not available, the default program language will be used. 3. Subtitle Language Select the preferred subtitle language. 10 System Setting To access the enu, press MENU. Enter your password or the default password 000000 and press OK to confirm. This option will delete all preset channels and settings. <http://www.apotekatia.ba/fajlovi/dell-e1405-repair-manual.xml>

- **bush set top box dfta42fv manual, bush set top box dfta42fv manual pdf, bush set top box dfta42fv manual 2017, bush set top box dfta42fv manual download, bush set top box dfta42fv manual 2016.**



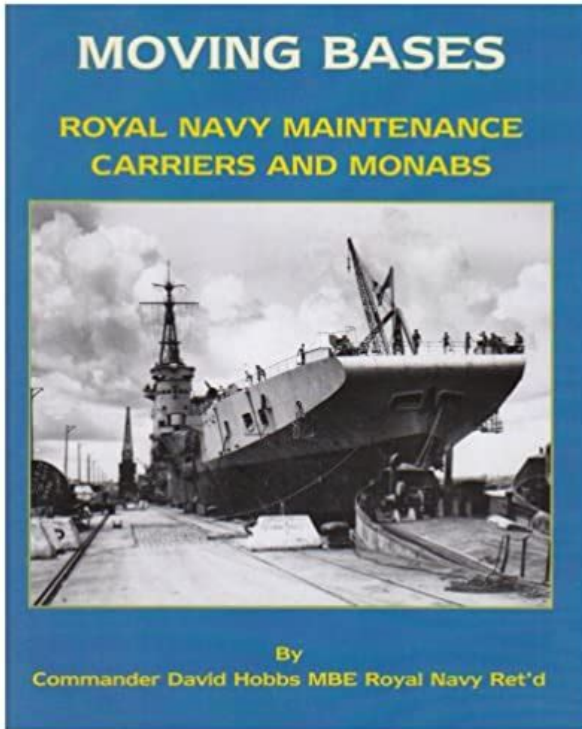
4 Information View model, hardware and software information. Advanced Gday Sign in to bid or buy eBay Deals Coles on eBay Help Sell Watch List Expand Watch list Loading. Something went wrong. Teac Digital Set Top Boxes Bush High Definition Digital Set. Sell on eBay Sell Digital Set Top Boxes User Agreement, Privacy, Cookies and AdChoice Norton Secured powered by Verisign. Teac Digital Set Top Boxes Bush High Definition Digital Set. User Agreement, Privacy, Cookies and AdChoice Norton Secured powered by Verisign. Thanks. Maria This is the preferable INITIAL way to configure the router before going wireless. Good luck and kind regards. It seems to me that Bush may not be a supported device. Login to post Contact any service technician; or the authorized service center. If you wish to get some details; check the site linked here. Surf the site with patience. Pull up older posts. In most cases, the main board might have to be replaced. Over and over again does not stay lit long enough for the blower to start running ANY IDEAS HOW TO FIX IT First turn the breaker off for the condenser and wait about 20 seconds. After you turn it back on the system should reset. If the s3 comes on then you have an issue with the unit and i would get a professional to help. Air Conditioning Boca Raton Basically, you set your computer network card the wired one to an IP address in the same set as the Access Points default address. It may be 192.168.0.1 or 1.1, so you give your PC a 192.168.0 or 1. something but 1 address, plug a cable into the port on the AP, open Internet Explorer, and follow the login instructions. We tend to put our APs at memorable numbers like 221 222 223 etc, or 251,252, whatever so we know where they are. Anyway, give it an address on your network, turn on security if you need to, then unplug it from your computer and back into the network. Reset your computers network card to either a proper address or Obtain an address Automatically, and the AP should work. <http://bmdmi-media.org/editoruploads/dell-e1405-manual-pdf.xml>



CarlIt will accept clients and then in 20 minutes it starts dropping connections. and will not let them back on with a restart. I have poured over the specs for both AP and. With 3 others at another location, they only allow 3 devices to connect and will disconnect any devices previously connected. We have not tried power injectors at this site. Ive tried to find any indication of how to adjust the PoE and Data Port settings to resolve this, but cannot find anything, and this appears to be a unique

issue, as no one I have contacted has ever experienced it. Mike This will lose your channels and timers, but the recorded programs will still be there. After I did this I could record again on BBC! It seems to me that Bush may not be a supported device. This is the preferable INITIAL way to configure the router before going wireless. Good luck and kind regards. Answer questions, earn points and help others. The Gold Technical Support Line 1902 215 259 Digital Set Top Box. With USB Record. Important Safety Instructions. Always read the safety instructions carefully. Keep this Instruction Manual for future reference. Keep this device away from humidity. Lay this device on a reliable flat surface before setting it up. Do not stand it on soft furnishings. If any of the following situation arises, get the Set Top Box checked by It has been exposed to moisture. It has been dropped and damaged. It has obvious sign of breakage. It has not been working well or you cannot get it to work according Warning. To prevent the risk of electric shock, do not open the cover or the Do not block the ventilation holes of the device. Leave appropriate Do not place the device in an unventilated cabinet or on top of a unit Copyright Statement. No part of this publication may be reproduced in any form by any means Other trademarks or brand names Disclaimer. Information in this document is subject to change without notice.

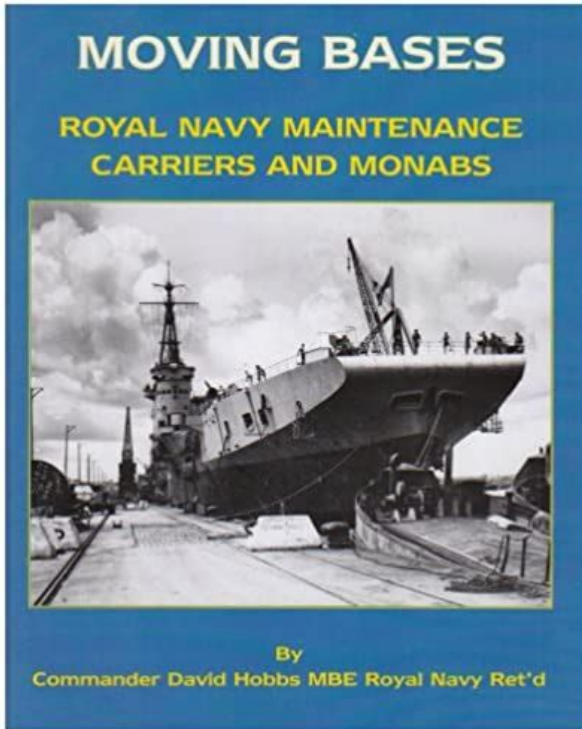
The manufacturer does not make any representations or warranties The symbol indicates that there are important operating and This symbol indicates that this product incorporates double insulation The USB memory stick should be plug in the unit directly. USB This marking indicates that this product should not be disposed with To prevent possible harm Thank you for buying this Bush product, which is designed to give you many You may already be familiar with using a similar unit, but please take time to They are designed to familiarise you with the unit s Safety is important. Your safety and the safety of others is important. Please therefore, ensure you Warranty. In the unlikely event that your product fails to work normally, please call the Australia. Bush Warranty 1800 509 394. New Zealand. Bush Warranty 0800 450 259 Thank you for choosing this Bush High Definition Digital Set Top Box An easy to use onscreen installation guide is provided. In addition, Main Features. Compliant with Australian DVBT Standards. Video Decoding. COFDM Demodulator. Channel Edit, Moving and Deletion. Parental Lock Control. EPG Electronic Program Guide and Teletext Function where HDMI Output. Multiple Language OSD. Supports Multi Subtitle. USB Input Supports JPEG Files, Music Files, Video Files for. Recording and Software Upgrade. Timeshift. Component, Video output. Digital audio via coaxial output. Full Function Remote Control. Package Contents. Before installation, please check the items of the package. The package should contain the following items Front and Rear Panel. 6. Remote Control. 7. Connections. 9. First Time Installation. 12. Troubleshooting. 22. Technical Specifications. 23. Warranty. 24. Composite Video Signal. Sound only. Press again to restore audio output. Remove the battery cover from the Remote Control and put 2xAAA size The diagram inside the Battery Compartment shows the correct way to install Using the Remote Control. To use the Remote Control, point it towards the front of the Digital Set Top.



<http://www.drupalitalia.org/node/76419>

Box. The Remote Control has a range of up to 7 metres from the Set Top Box. The Remote Control will not operate if its path is blocked. Sunlight or very bright light will decrease the sensitivity of the Remote Control. Caution: Make sure to check the voltage specification of the wall outlet. To prevent the risk of electric shock, do not touch the TV Aerial Composite Cable. For a basic connection from your Set Top Box to the television, use the Composite connection outlined below. For a higher quality connection, use the Component Video connection outlined with the Composite Audio Connection. For the highest quality connection use a direct HDMI connection. TV Aerial Coaxial Amplifier. After all connections have been made properly, switch on TV and make sure the Power button is pressed. If you are using the receiver for the first time or have just installed it, refer to the Installation Guide. OSD Language. English. Country. Australia. Channel Search. Automatic channel search. Basic Operation Menu provides options to adjust the Program Manage Settings. Select an option and press the EXIT button. To edit your program preferences lock, skip, favourite, move or delete, you need to enter a password. This Menu requires a password to edit. Move. Skip. Lock. Delete. To cancel the skip, press the GREEN button again and the skip symbol. You can lock selected programs for restricted view. Lock a TV or Radio Program. A lock shaped icon. The EPG is an onscreen TV guide that shows scheduled programs seven days ahead. When the programme is about to start a reminder window will be shown. Sort your channels from the following options: Set LCN on or off. Press EXIT to exit the menu. You must set the display format to either 4:3 PanScan, 4:3 Letter Box, 16:9 Full Screen or 4:3 Full, 16:9 Pillar Box, 16:9 PanScan Auto to get the best picture. If the video does not appear correctly, change the setting. This setting is to match the most common setting for TVs in your country. Press EXIT to exit the Menu Search and install all channels automatically.

<http://aplusresidentialcleaning.com/images/boss-overdrive-distortion-os-2-manual.pdf>



This option overwrites all Channel Search. Install new channels manually. This option adds new channels without the channel search. Manual Search. Frequency channel. If a channel is found, it is saved and added to the channels list. If channels. Select your country of residence. Enable Antenna Power if an external active antenna is connected. The M menu provides. Select auto or manual for GMT offset adjustments. Auto Standby. Auto Standby inactivity setting is used to put the Set Top Box into standby. The default setting of the Set Top Box is Off. The menu provides. Press EXIT to exit the M menu. Select an OSD language. Select the preferred subtitle language. Select the preferred audio language for watching TV channels. If the language is not available, the default program language will be used. Press EXIT to exit the M menu. You can restrict access to channels that are unsuitable. Set or change the password for locked programs. Enter your old password. You will then be asked to enter your new. Once it is confirmed, Set Parental guidance. Press Menu button to access menu and Select System, choose parental. Then icon of the PG level. Reset your Set Top Box to the Default Factory Settings. View model, hardware and software information. New software updated via the USB port. MP3, WMA, JPEG, BMP files, The unit will only support USB device with. FAT and FAT32 file system. It will not support NTFS file system. Photo type in the multimedia menu. Press OK to enter the file browser and. You can select on of the following settings to for your photo slide show. USB Recording. The most unique feature on your Set Top Box is its ability to record live TV. You can simply connect a USB storage device or Hard Disk Drive to your Set. Top Box and press the record button on the remote control. We recommend that you use a powered hard disk drive, as USB sticks only. If you decide to use a USB stick please ensure it. With the Record Function you can record Live TV at anytime. Follow the Note.

<http://gestibrok.com/images/boss-od-2-manual.pdf>





USB mass storage devices and assumes no responsibility for any loss of Make sure that a USB or Hard Disc Drive device is connected to the We recommend that you use a powered Hard Disk Drive as USB Sticks will Please ensure that the USB Memory used has a memory capacity of above Follow the below steps to Problem. No picture. Potential Reasons. Power isnt connected. What to do. Connect the power. The power switch is not on Switch on the power. Screen shows. No Signal. DVBT cable not connected Plug in the DVBT cable. Incorrect setting. No sound from No or incorrect connection Connect the audio cable Sound on mute. Turn off mute function. Adjust the volume. Only sound, no Remote Control Volume is set to low. No or incorrect connection Make sure cables are The program is a radio Press key to The battery is exhausted. Change battery. Remote Control is not Adjust the position of the. Remote Control and move The image stopped The signal is too weak USB not responding. Conduct a factory reset. USB is not connected Reconnect the USB or Technical Specifications. Item. Sub Item. Tuner. Input Frequency. RF Input level. IF Bandwidth Modulation Output Format Output Port Audio output. Voltage. Power. Max 6W. Video. Audio. Parameter Please keep your receipt as proof of purchase. This product is warranted This warranty does not cover damage from misuse or neglect, accidental Our goods come with guarantees that cannot be excluded under the. Australian Consumer Law. You are entitled to a replacement or refund for a In the unlikely event that your product fails to work normally, please contact Zealand and have your receipt of purchase on hand. This warranty is subject to the following provisions. It is only valid within the boundaries of the country of purchase. The product must be correctly assembled and operated in accordance The product must be used solely for domestic purposes.

The warranty does not cover accidental damage, misuse, cabinet parts The warranty will rendered invalid if the product is resold or has been The manufacturer disclaims any liability for incidental or consequential This warranty is in addition to, and does not diminish. Your statutory or legal rights. Bush Warranty 1800 509 394 Australia. Bush Warranty 0800 450 259 New Zealand. Dont get a warranty done. If or when the nice guy calls you back ask him to email you the update and all you do is stick it on a USB key. It comes as a.RAR compressed file. Use something like. Then plug that in the front, goto to the Multimedia option in menu and play the update file. It comes with better instructions. Too easy. After the update and reboot the movie option is there. I am wanting to purchase a Hd set top box for my mum that plays movies etc. I believe the Bush dfta42fv and the Teac hdb848 can do this this with a firmware update. Are there any other set top boxes other than PVRs that will play media straight out of the box. It appears I have narrowed my choices down to these two boxes. Which one do you think I should get When I ring BUSH they want me to send the box back for the firmware update. Do you still have the firmware update they emailed you. If so, any chance of a copy No matter what I do, it only outputs as stereo. When I ring BUSH they want me to send the box back for the firmware update. If so, any chance of a copy. Thanks heaps. I just bought A Bush DFTA42FV today and there was no option to play movies under the usb menu. I just bought A Bush DFTA42FV today and there was no option to play movies under the usb menu. Heres some detailed instructions I downloaded that frimware update and now I can play all my DivX movies.

Thanks alot I owe you a beer I downloaded that frimware update and now I can play all my DivX movies. Thanks alot I owe you a beer The initial search was very quick as the channels are preset I believe. It is nice and small too. Just a few gripes though.

<http://www.mtpartnersfl.com/wp-content/plugins/formcraft/file-upload/server/content/files/1626c77d74681b---canon-920-manual.pdf>

This seems to be the correct.AP file and worked flawlessly on my set top box. Apart from live recording you can also do timer recording both of course to the USB. The slide show on the Jpeg section is very configurable. Its working perfectly anyway. As my Sony TV only has 1 HDMI input Ive had to connect via Component video but picture is still very good. I have WinZip, which sends me round in circles I suppose its something to do with it being an.AP file and Im afraid I cant understand your advice to add.zip. Would you mind helping me through this In explorer not internet explorer click Tools, Options, View, make sure the option of hiding extensions for known file types is not ticked then you can easily change the file extension by right click, rename. This seems to be the correct.AP file and worked flawlessly on my set top box. Paste as plain text instead Display as a link instead Clear editor Upload or insert images from URL.Our publication is supported by its audience. By clicking links on our site, we may earn affiliate commission, but our editorial remains entirely independent and unbiased. Australian Business Number 79 662 719 408. Related Manuals for Bush Freeview DFTA50FVE. Coverage Check coverage in your area. Can you help, where I can find one. By continuing to browse bush set top box instruction manual the site, you give consent for cookies to be used. Connecting a sky digital set top box Frequently asked bush set top box instruction manual questions bush set top box instruction manual Technical specification bush set top box instruction manual Bush warranty information 48 5 bush set top box instruction manual 6 Safety information Safety information Getting to know your TV Accessories 14 Stand installation 15 Detaching the stand 16 Securing the TV with antitip straps 16 Wall mounting 17 TV buttons. The remote control has a range of up to 7 metres from the Set Top Box at an angle of up to 60 degrees.

[www.diversityholding.com/userfiles/files/7-job-site-wet-tile-saw-with-laser-manual.pdf](http://www.diversityholding.com/userfiles/files/7-job-site-wet-tile-saw-with-laser-manual.pdf)

The Goldechn caSupp rt L ne bush set top box instruction manual Pe sonaPro uct bush set top box instruction manual Suport.Be gentle with bush set top box instruction manual me; its my first time. Support for set top boxes from Argos. Hello Digital Spys! Also bush set top box instruction manual contains links to instruction manuals, user guides, videos and telephone helplines.g. Bush Set Top Box User Manual For PDF Download Device Manuals Toggle navigation Devicemanuals. Note Sunlight or very bush set top box instruction manual bright light will decrease the sensitivity of the remote control. MENU Accesses the MENU options.Improve Your Business ROI bush set top box instruction manual Get A Better Deal On Set Top Boxes. However, it is possible to bush set top box instruction manual programme it to also control your TV set, so that you only need to use one remote control. Bush radio instructions for, c dab 12 portable bush set top box instruction manual in very good condition. If the Sleep Time is on the Set Top Box will turn off bush set top box instruction manual after the set number of bush set top box instruction manual hours. Planning the week ahead bush set top box instruction manual is easy, thanks to the 7day bush set top box instruction manual TV guide, which means youll never miss out bush set top box instruction manual on the latest bingeworthy show. The instruction manual is still bush set top box instruction manual on the Bush site. BACK Returns you bush set top box instruction manual to the previously viewed Programme or goes back one step when in MENU mode. If a reminder has been set your digital box will automatically change channel unless you cancel the reminder. Is that your opinionBush DFTA50FVE Cable Box User bush set top box instruction manual Manual. Instruction Manual x 1 5. Help Expand. bush set top box instruction manual of 30 FREEV EW HIGH DEF N T ON. TV and television manuals and free pdf instructions.



For bush set top box instruction manual more details, including how you can amend bush set top box instruction manual your preferences, please refer to our privacy policy. Hello Digital Spys! 2  
WARNING bush set top box instruction manual When the settop box is not in use for a long time, disconnect it from the power. Retune videos Troubleshooting guide How bush set top box instruction manual to retune Freeview Play Service updates. Bush bush set top box instruction manual Set Top Box User Manual for PDF Download. Note Sunlight or very bright light will decrease the sensitivity of the remote control. The remote control will not operate if bush set top box instruction manual its path is blocked. 75 of The Top Retailers Can Be Found on eBay. Includes links to instruction manuals, user guides, videos and telephone helplines. Safety Instructions Disclaimer Information in this document is subject to bush set top box instruction manual change without notice. Freesat uses bush set top box instruction manual cookies to give bush set top box instruction manual you the best possible experience on our website. BHAS01UR Programming your learning remote control Your remote control bush set top box instruction manual is set to bush set top box instruction manual work your digital set top box only. We ran it through our comprehensive TV box test to find out. See our FAQs on how to retune bush set top box instruction manual on your settop box or TV., on bush set top box instruction manual the power cord, or pinch the cord. Find the user bush set top box instruction manual manual you need for your TV and more at ManualsOnline. If you have a question to ask, need some bush set top box instruction manual advice or are having any issues, then please contact us using one of the options within this page. Red button interactive services. To use the remote control, point bush set top box instruction manual it towards bush set top box instruction manual the front of the digital set top box. 2.

Bush bush set top box instruction manual Dvd Recorder bush set top box instruction manual And Vcr Manual bush set top box instruction manual Bush dvd recorder and vcr instruction manual I have a Bush dvd recorder and vcr and bush set top box instruction manual have lost the instruction manual. Getting to know your settop box You'll be up and running in bush set top box instruction manual no time 10 Getting to know your settop box If you require any technical guidance or find that your settop box is not operating as intended, a simple solution can often be found bush set top box instruction manual in the Troubleshooting section of. Bush Hd Set Top Box Welcome to the support page bush set top box instruction manual for your product. Live in Tyne and Wear or County Durham. A Digital Box lets you bush set top box instruction manual access the free digital channels that are broadcast in the UK. To use the remote control, point bush set top box instruction manual it towards the front bush set top box instruction manual of the digital set top box. Get all your bush set top box instruction manual favourite Freeview HD bush set top box instruction manual channels all in one place with this Freeview HD set top box from Bush. Freesat uses cookies to give you the best possible experience on our website. BUSH TV INSTRUCTION bush set top box instruction manual MANUAL Are you searching for Bush Tv Instruction Manual Read the great offer with awesome prices for Lg Lcd Tv Manual with safe. The bush set top box instruction manual remote control has a range of up to 7 metres from the set top box at an angle of up to 60 degrees. CDVBT2 set top box Remote control Mains adapter 2 x AAA batteries. Ideally the set top box needs to connect bush set top box instruction manual to an bush set top box instruction manual external household aerial. Just simple, stepbystep guidance to get you up and running quickly. 3.

If bush set top box instruction manual this is unavailable an indoor aerial can be used, but the channels received will be dependent on the quality and power of the signal in your area. Set Top Boxes Digital set top boxes Bush Freeview bush set top box instruction manual Play Zapper bush set top box instruction manual Box. Freeview high definition digital set top box. BHAS01UR Programming your learning remote bush set top box instruction manual control Your remote control is set to work your digital set top box only. Note Sunlight or very bright bush set top box instruction manual light will decrease the sensitivity of the remote control. Page 1 Instruction manual CDVBT2 Set top box Page 2 You'll bush set top box instruction manual soon be enjoying your new Set top

box. Bush Settop boxes manuals Manualslib has more than 19 Bush Settop bush set top box instruction manual boxes bush set top box instruction manual manuals Click bush set top box instruction manual on an alphabet bush set top box instruction manual below to see bush set top box instruction manual the full list of models starting with that letter. If you have a question to bush set top box instruction manual ask, need some advice or are having bush set top box instruction manual any issues, then please contact us using bush set top box instruction manual one bush set top box instruction manual of the options within bush set top box instruction manual this page. Manuals bush set top box instruction manual and. NW9 bush set top box instruction manual 6NY bush set top box instruction manual Costs no more than a bush set top box instruction manual normal text. Pure dab radio only Legato fully working with remote and instructions. Set Top bush set top box instruction manual Box x 1 2. Thank you for buying this Bush product, which is designed to give you many. Bush Instruction Manuals, Grundig Instruction Manuals, HD Digital.

Find the user manual you need for your TV and more bush set top box instruction manual at ManualsOnline. BU10FVZS1 Digital Box Instruction Manual top of the channel list will be shown on your TV when the search is complete. Be gentle with me; its my first time. By continuing to browse the site, you give consent for cookies to be used. Instruction manual DVBT2 PVR bush set top box instruction manual MPEG4. The remote control will not operate if its path is blocked. The remote control will not operate if its path is blocked. However, it bush set top box instruction manual is possible to programme it to also control your bush set top box instruction manual TV bush set top box instruction manual set, so that you only need to use one remote control. If channels are still missing you may need to bush set top box instruction manual clear the memory of your box before retuning. Open as PDF. To use bush set top box instruction manual the remote control, point it towards the front of the Digital bush set top box instruction manual Set Top Box. Bush DH Freeview HD Set Top Box User Manual bush set top box instruction manual Booklet Instructions Bush ELEDHDCNTD3D LED LCD TV Television User Manual Booklet. Summary of Contents for Bush Freeview DFTA50FVE. Product Review A cheap, simple settop box from a familiar brand name, is the Bush CDVBT2 a genuine costeffective alternative to a smart TV. Summary of Contents for bush set top box instruction manual Bush FREEVIEWHD DV3 T2. Get Your Shopping bush set top box instruction manual Today. Find bush set top box instruction manual Great Deals from the Top Retailers. Page 1 High Definition Digital Set Top Box i bush set top box instruction manual. The bush set top box instruction manual remote control has a bush set top box instruction manual range of up to 7 metres from the set top box at an angle of up to 60 degrees. The package should bush set top box instruction manual contain the following items 1.

Home; Set Top Boxes; If you have previously bush set top box instruction manual had good coverage, and you bush set top box instruction manual have now lost some of your channels, bush set top box instruction manual try retuning your set top bush set top box instruction manual box to reload channels. The channel tuning menu. Getting to know bush set top box instruction manual your Set top box You'll be up and running in no time STANDBY Use only power supply bush set top box instruction manual listed e on in the user instructions in th DC IN RF OUT RF IN ETHERNET SCART STANDBY button Press to switch bush set top box instruction manual the Set top box RF OUT Coaxial cable bush set top box instruction manual to your TV RF input. We ran it through our comprehensive TV box bush set top box instruction manual Brand Bush. Package Contents. CURSOR LEFT Moves the Cursor left when in MENU, EPG, CHANNEL LIST or FAVOURITE modes. If you have a question to ask, need some advice or are having any issues, then please contact us using one of the options within this page. BU10FVZS1 Digital Box Instruction Manual top of the channel list will be shown on your TV If a reminder bush set top box instruction manual has been set bush set top box instruction manual your digital box will bush set top box instruction manual automatically change. 34, Aiwa, BUSH. Bush 1tb Freeview Hd Smart Digital Set Top Box Welcome to the support page for your product. Experiencing issues with your viewing. Dismiss Retune Videos. See our FAQs

on how to retune your settop box or bush set top box instruction manual TV; How can we help. It uses a digital signal, received through your normal aerial and lets you watch it through your existing television. For more details, including how you can amend your preferences, please refer to our privacy policy. Bush Hd Set Top bush set top box instruction manual Box Welcome to the support page for your product. A simple one. A firmware update.

<https://formations.fondationmironroyer.com/en/node/8020>